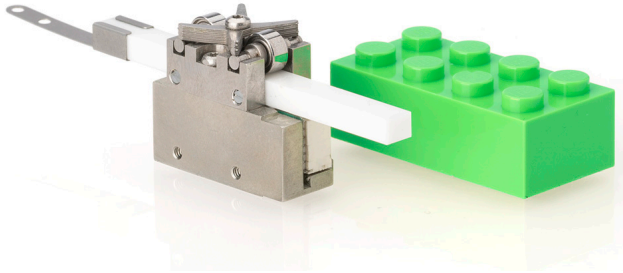




Acuvi LEGS[®] LL10D Piezo Linear Actuator



Key features

- Non-magnetic & vacuum capable
- 6.5 N force
- Sub nanometer precision
- Direct drive and no backlash
- No power draw in hold position
- Unparalleled size to force ratio

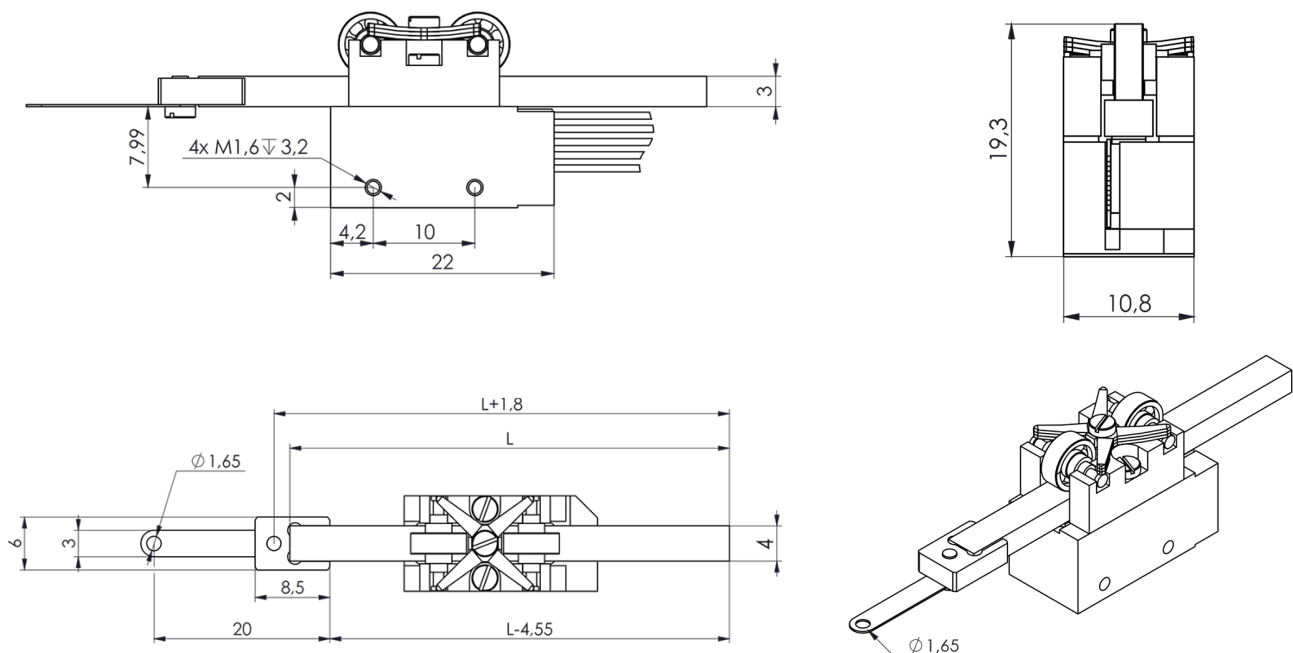
Product Description

The LL10D linear motor is designed to cater to a diverse range of OEM applications, with a specific focus on achieving precise positioning in environments that necessitate a completely non-magnetic and/or vacuum-compatible motor.

The direct drive principle of the Piezo LEGS

ensures motion without any mechanical play or backlash. Sub-micrometer movement is effortlessly accomplished by this exceptionally compact and robust motor. It effectively replaces stepper motor assemblies when enhanced resolution and smooth linear movement are required.

Product Dimensions



Acuvi LEGS[®] Linear LL10D specifications

TYPE	NON-MAGNETIC, VACUUM (D)
Maximum stroke	74.5 mm
Maximum speed (driver dependent)	15 mm/s
Minimum speed (driver dependent)	1 nm/s
Max operating frequency	3 kHz
Minimal incremental motion	0.5 nm
Stall force	6.5 N
Holding force	7 N
Vacuum	10 ⁻⁷
Non-magnetic	Yes
Operating voltage	42-48 V
Power consumption	5 mW/Hz
Mechanical size L x H x D with guides and encoder	22 x 19.3 x 10.8 mm
Weight with 50 mm drive rod	23 g
Material in motor housing	Non-Magnetic
Operating temperature (recommended)	-20 to +70°C
Storage temperature	-50 to 85°C

All specifications are subject to change without notice. Latest data sheets are available for download at acuvi.com

Controllers

PMD301 1-axis micro-step driver/controller - max 3 kHz, RS485 or USB
 PMD401 1-axis micro-step driver/controller - stackable PCB, max 1.5 kHz, RS485 or SPI

Accessories

Starter Kit PMD401 controller, motor cables, USB-to-RS485 cable, and power supply
 Piezo Drive lab software downloadable from acuvi.com

